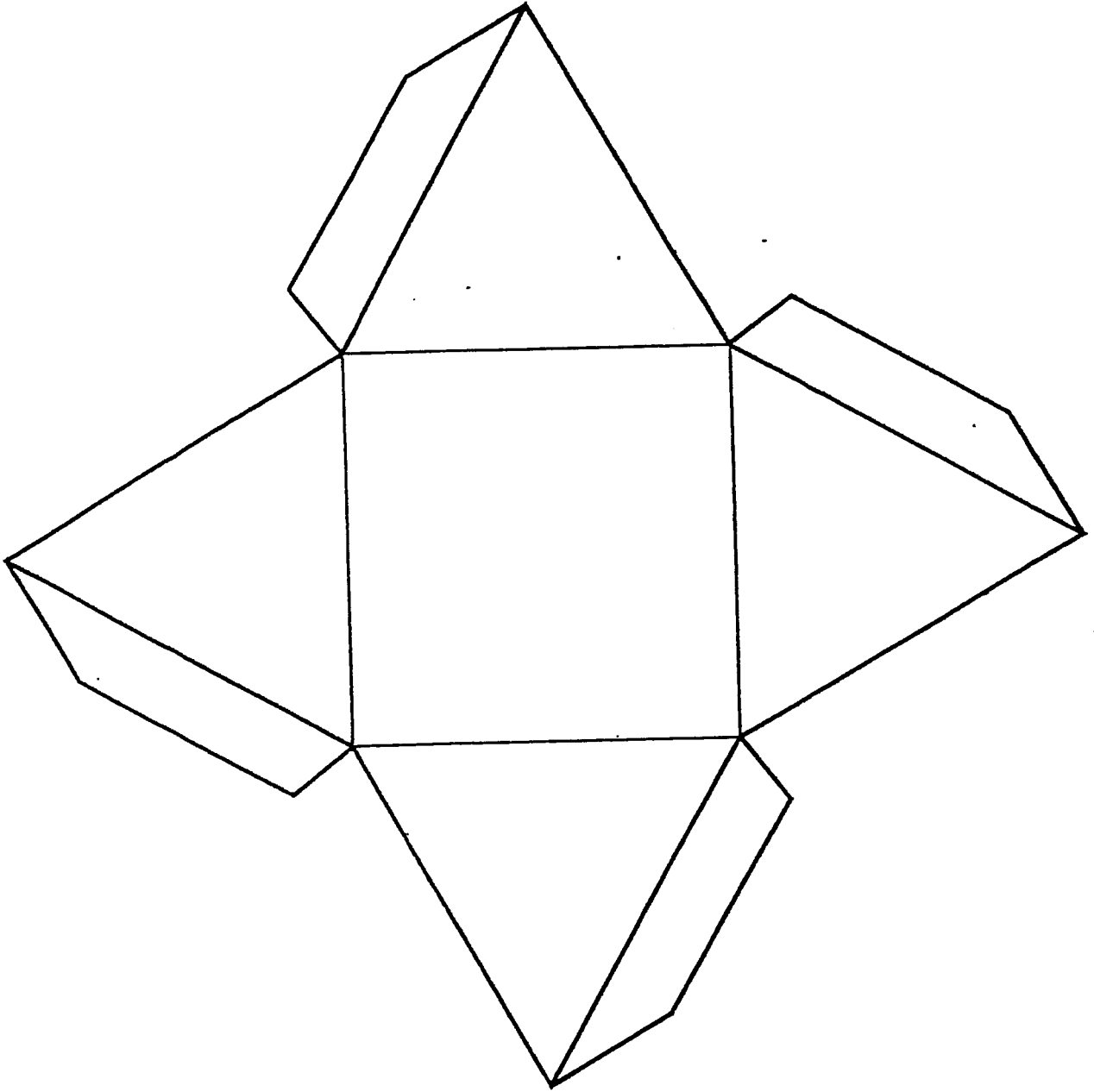
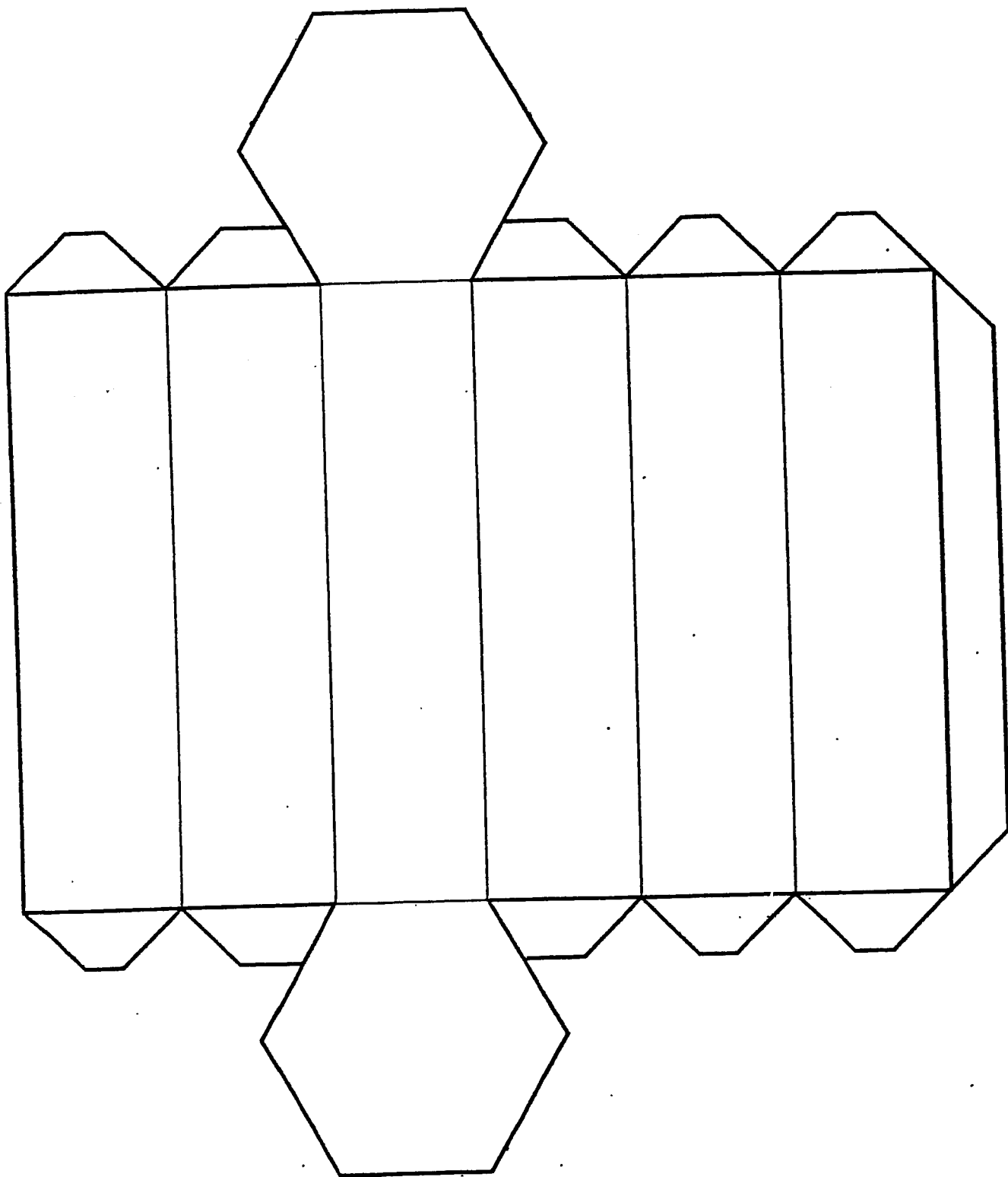
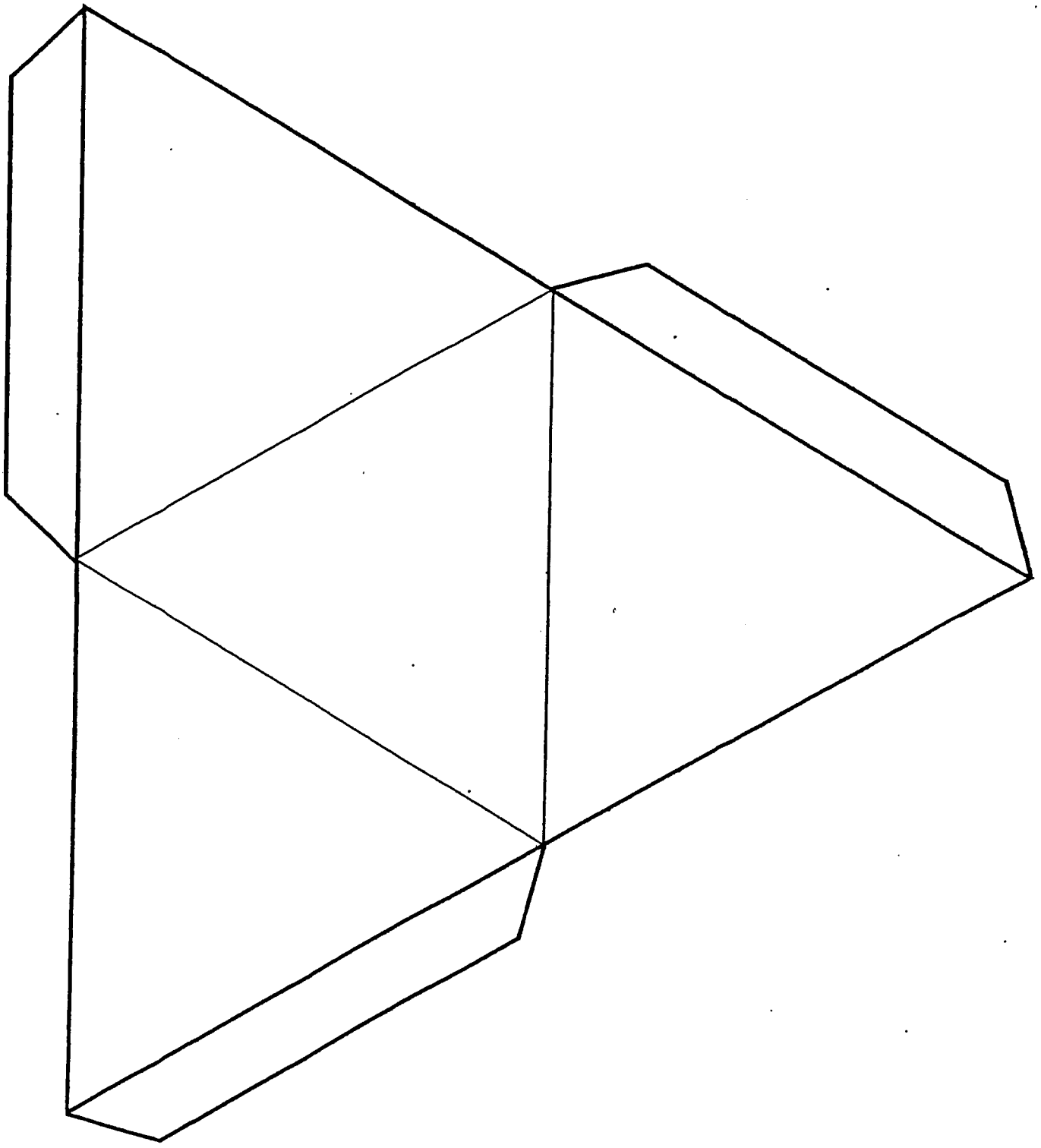


© 2000 Pearson Education, Inc. All rights reserved. Printed in the United States of America. This book is a trademark of Pearson Education, Inc.

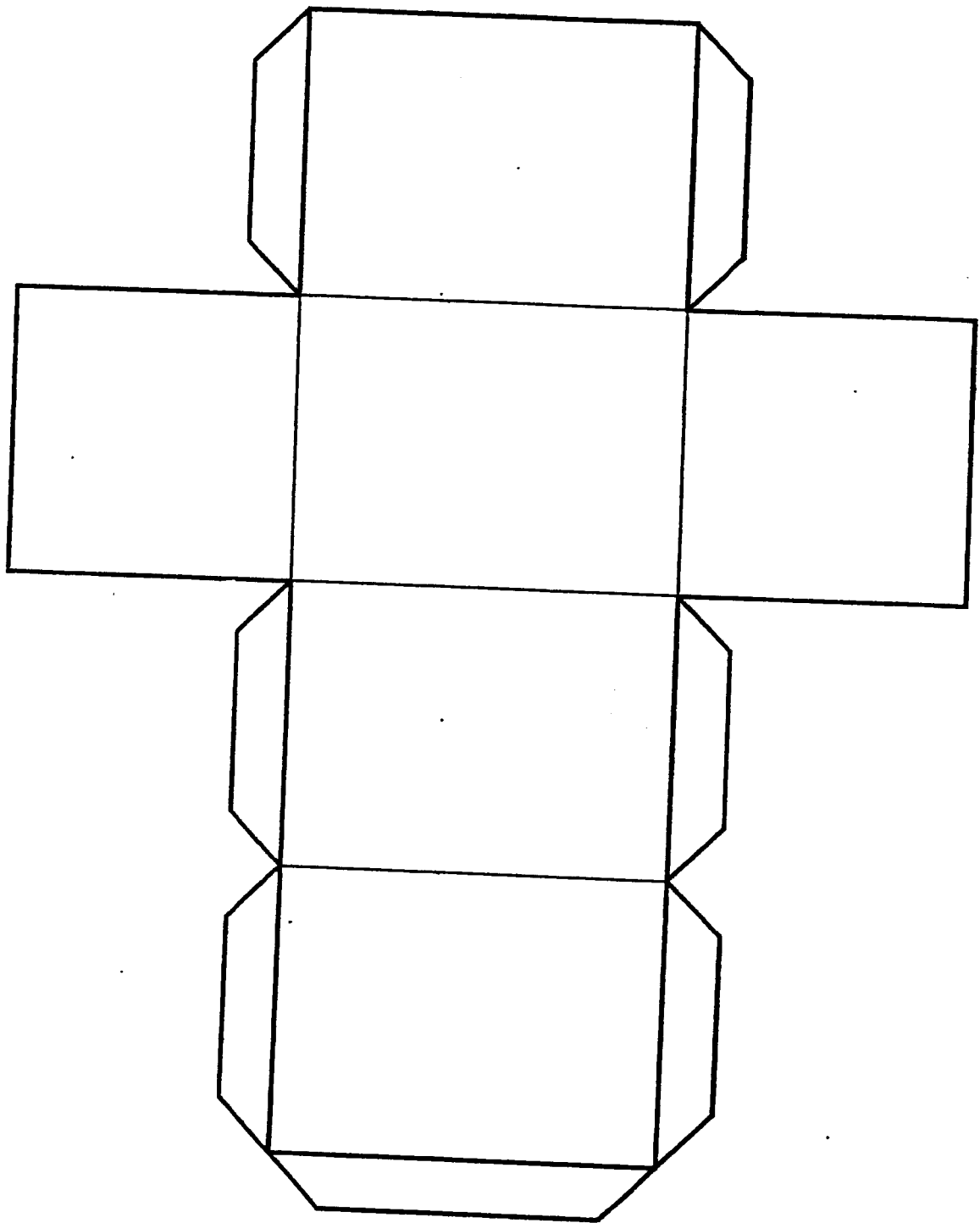


Square Pyramid Pattern

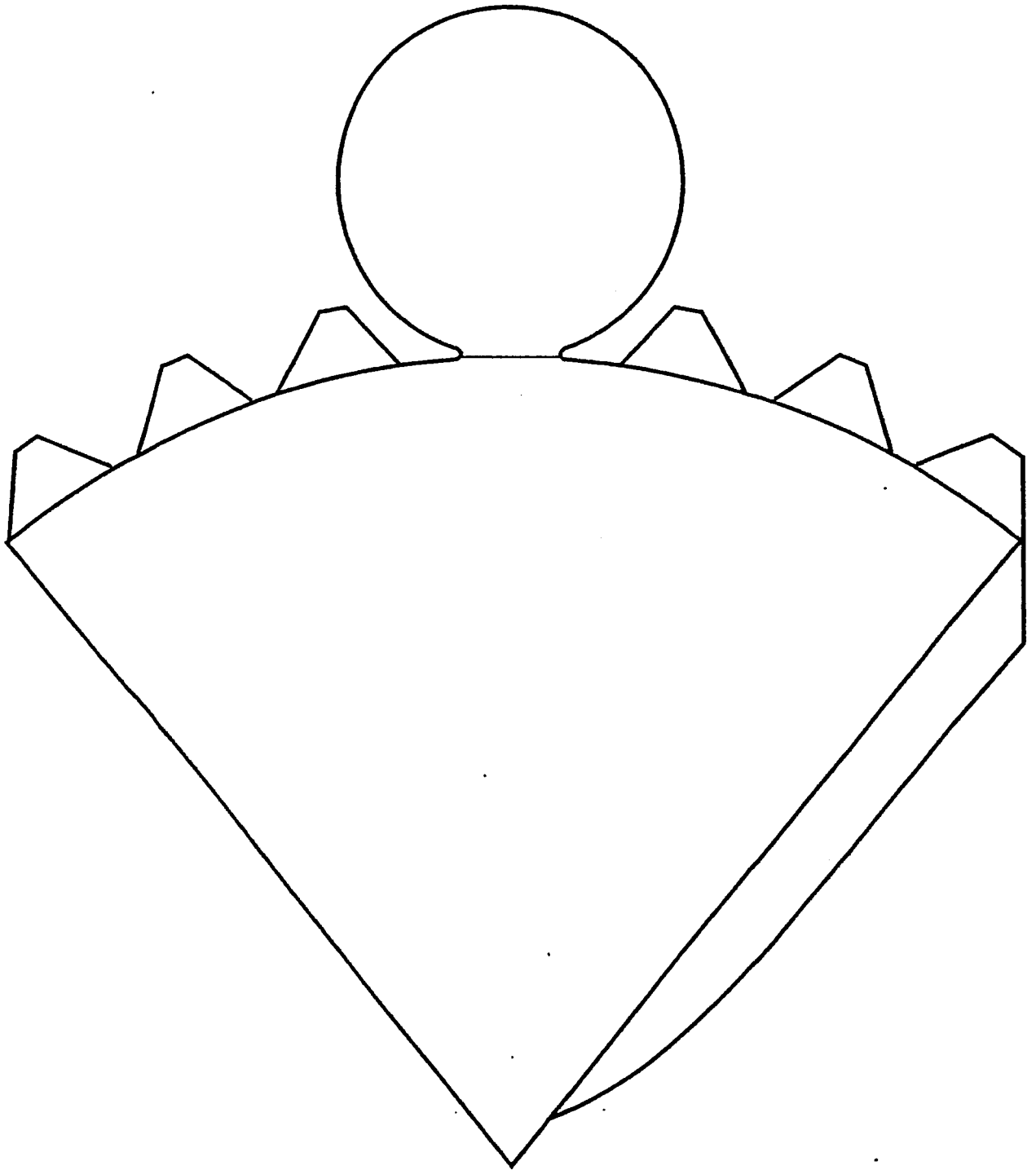




© 2013 The McGraw-Hill Companies. All rights reserved. No part of this publication may be reproduced, stored, or transmitted in any form or by any means, electronic, mechanical, or otherwise, without the prior written permission of The McGraw-Hill Companies.



(6.1)



MSJ material copyrighted under notice appearing earlier in this work.

