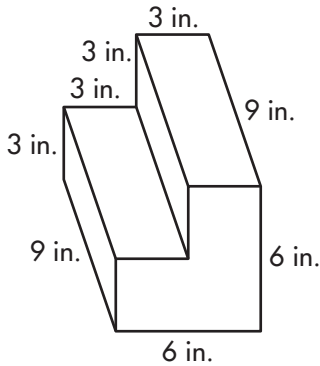


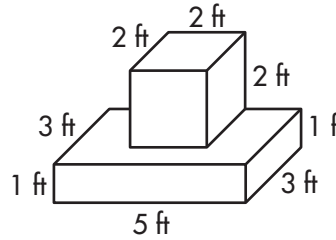
Combining Volumes

For 1 through 4, find the volume of each solid figure.

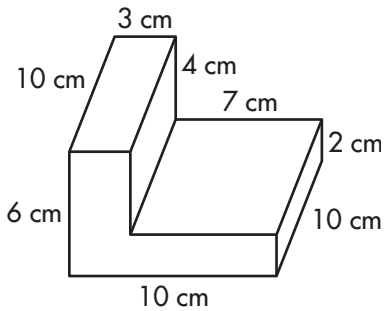
1.



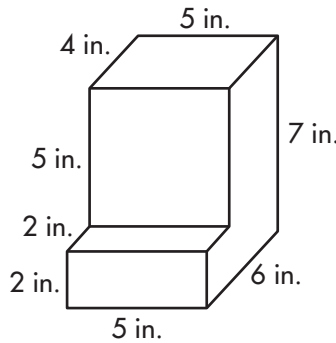
2.



3.

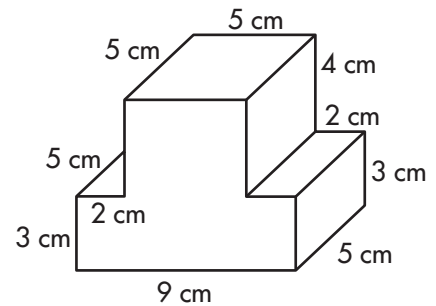


4.



5. Paul wants to build this model with clay, but he does not know how many cubic centimeters of clay to purchase. How much clay should he purchase?

- A 235 cm³
- B 335 cm³
- C 405 cm³
- D 935 cm³



6. Ashley is stacking two boxes on a shelf. The bottom box measures 6 inches \times 5 inches \times 5 inches. The top box is a cube with one edge measuring 4 inches. What is the volume of this stack? Explain how you found your answer.
